



Load Cell Forklift Scale

Lift and Weigh in 1 go!



Fast Return of Investment

High Accuracy + Time Saving + Improve Efficiency + Fuel Savings + Less Maintenance = PROFIT!

In times of global competitions and escalating overhead and energy costs, every dollar saved in a routine operation by efficiency improvements and effective management of valuable assets translate to improved business profitability. Having the ability to weigh your cargos directly from the forklift has significant time, operational and cost advantages.

SEKO's innovative load cell on-board forklift weighing system enables lift and weigh simultaneously. This versatile technology has been specifically designed to meet all critical customers' requirements from easy to fit to the ability to withstand the harshest industrial frequent knock and impact environments imaginable.

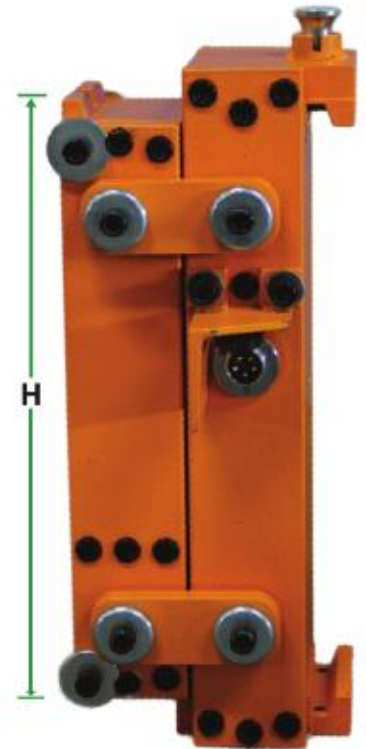
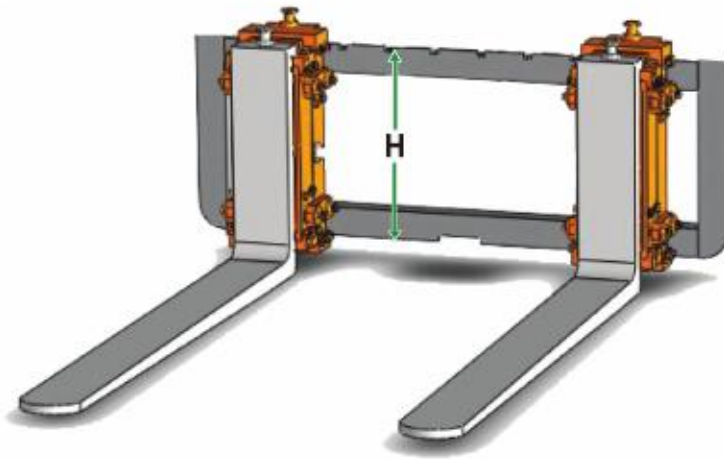
Partial Customers Base



"High accuracy and durability"
"Robust, versatile, portable and reliable"
– compliments from renowned on-board weighing specialist with more than 30 years of experiences from Australia, Europe and USA



Load Cell Forklift Scale



SEKO model	ISO Forklift carriage	Carriage bar spacing (H)	Typical Forklift rating	Readability
SL-16	Class II	40.6cm (16")	1.5 ~ 2.5 ton	1 kg
SL-20	Class III	50.8cm (20")	3.0 ~ 4.5 ton	1 ~ 2 kg
SL-25-6	Class IV	63.5cm (25")	5.0 ~ 6.0 ton	2 ~ 5 kg
SL-25-9	Class IV	63.5cm (25")	7.0 ~ 9.0 ton	5 kg

FEATURES

- Unrivalled performance and accuracy (within 0.1%* of weighing capacity).
- Durable and robust carriage mount weighing modules on hook type forks.
- High resistance to shock, frequent knock and impacts environments.
- Fits any forklift with standard Class II, III and IV carriage.
- Innovative latch on design, very easy installation.
- No modification needed on forklift.
- Modular designs adaptable to all indicator and other enhancements.

*Basis: weighing done on a level surface.

SEKO MALAYSIA SDN BHD (951395-H)

No. 43, Jalan Bayu Tinggi 7, Taman Bayu Tinggi, 41200 Klang, Selangor Darul Ehsan, Malaysia

✉ sales@seko.com.my
 🌐 www.seko.com.my

☎ +6 012 211 0604

☎ +6 03 3323 3604

📺 [SEKO Forklift Scale](#)

